



ALEPH
AMERICA CORPORATION

CM360-18/33 **CEILING MOUNTED PIR INTRUSION DETECTOR**

CM360-18/33

**CEILING MOUNTED PIR
INTRUSION DETECTOR**
(Patent Pending)



The ALEPH CM360 series ceiling mount sensors are dedicated high ceiling omni-view PIR intrusion detectors. Each model allows choice of 4 switch selectable dual pyro detection patterns 90°, 180°, 270° or 360°. With selectable Pulse Count and Sensitivity adjustments the CMC360 allows absolute detection in extreme security applications.

- Selectable Detection Patterns
- Sensitivity Control
- Pulse Count and LED Selectable
- 4 Dual Pyro Elements

CM360-33 33' MAX. MOUNTING HT.

- 100 FT. Diameter Detection Distance

CM360-18 18' MAX. MOUNTING HT.

- 80 FT. Diameter Detection Distance

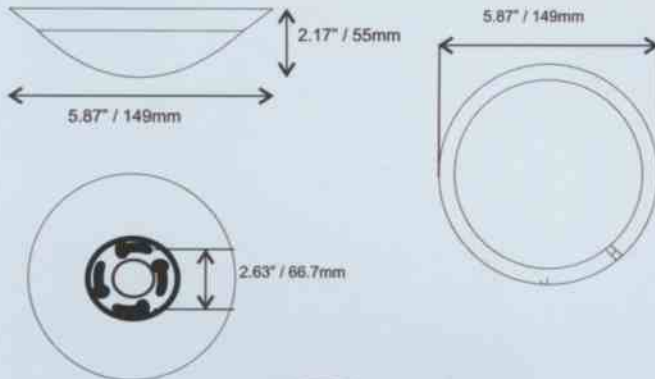
www.aleph-usa.com

CEILING MOUNTED PIR INTRUSION DETECTOR

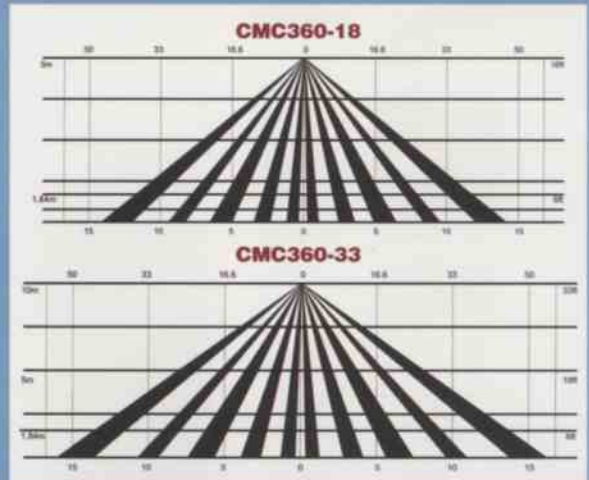
CM360-18/33



DIMENSIONS



DETECTION PATTERN



Detection Pattern Radius vs. Mounting Height

CMC360-33

Mounting Height	Detection Area
33.3 feet	= 50 ft radius
30 feet	= 41.5 ft radius
28 feet	= 38.3 ft radius
26 feet	= 35 ft radius
24 feet	= 31.6 ft radius
22 feet	= 28.3 ft radius
20 feet	= 25 ft radius
18 feet	= 21.6 ft radius
16 feet	= 18.3 ft radius

CMC360-18

Mounting Height	Detection Area
16.3 feet	= 40 ft radius
15 feet	= 29.3 ft radius
13 feet	= 23.3 ft radius
11 feet	= 18.3 ft radius
9 feet	= 13.3 ft radius
7 feet	= 8.3 ft radius

SPECIFICATIONS

Model No.	CM360-18	CM360-33
Mounting Height	18' 5.5 m max	33' / 10m max
Coverage	80' / 24m diameter	100' / 30m diameter
Detection Method	Passive Infrared	
Power Supply	10.6 to 16 VDC	
Current Consumption	33mA max / 16mA nominal	
Alarm Output	N.C. Solid State Relay/Dry Contact rating 30VDC / 100mA max	
Alarm LED Operation	Alarm: On Steady / 2Sec Flashing: During unit warm up (60 Sec) Continuously On: When sensor / circuit fault is present	
Supervision	Detector latches in alarm when sensor fault is present	
Selectable Coverage	Four Options: 90°, 180°, 270° or 360°	
Sensitivity Control	Two-Way adjustable - High / Low, via Sw - 3	
Pulse Count Control	Two-Way adjustable - 2 / 4, via Sw - 4	
LED Control	Enabled / Disabled - via Sw - 5	
Environmental	Operating Temperature: -20° C to 50° C / -4° F to 122° F Humidity: 95% RH Max	
Installation Application	Indoors / Level Ceiling	
Dimensions	2.17in (H) x 5.87in (Diameter) / 55mm x 149mm	
Weight	7 oz / 200g	



**4700 AIRCENTER CIRCLE
RENO, NV 89502**

PHONE: (775) 827-8000

Fax: (775) 827-8044

www.aleph-usa.com