



**ALEPH
INTERNATIONAL**
The First Name In Detection

A MEMBER OF THE NIPPON ALEPH CORPORATION



HA-30SI - SINGLE BEAM

Photoelectric Single Beam Detector

Aleph's HA-30SI Photoelectric Single Beam Detector installs easily, and provides superior protection in both Indoor and Outdoor Applications. Key features make it the professional installer's single beam photoelectric of choice. The compact, attractive styling will appeal to your customers as well.

The SI's pulsed infrared sensor covers a range up to 30 feet, with a variable beam interrupt response time that can be adjusted from 50 to 500 milliseconds.

Even in poor weather conditions, the SI series performs flawlessly. Sealed optics and a unique viewfinder simplify alignment, and there are no heaters or cut off circuits which might jeopardize security. In all, you will find Aleph's 30SI provides uncompromising performance and protection at an affordable price.

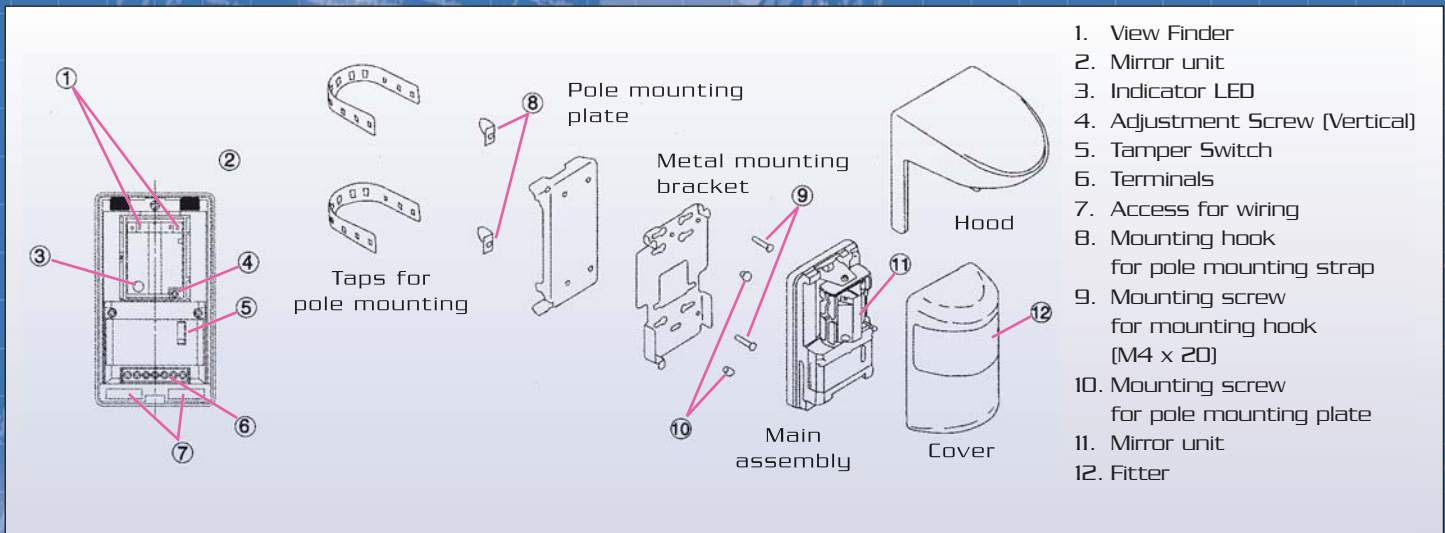
FEATURES

- Indoor/Outdoor Use
- -30' Outdoor / 60' Indoor
- Pulsed Infrared, Single Beam, Scaled Optics
- Variable Beam Interruption Time
- Quick Installation
- Line of Sight and VOM Alignment
- -13F to + 131F Operating Temperature

HA-3051 - SINGLE BEAM

Photoelectric Single Beam Detector

ADVANCED DESIGN FEATURES



SPECIFICATIONS

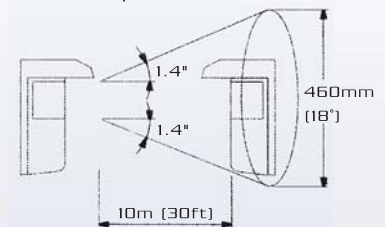
MODEL

HA-3051

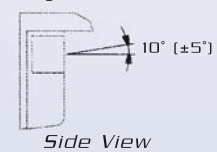
Recommended Max. Range (Outdoor Use) (Indoor Use)	30 ft (10m) 60 ft (20m)
Sensing Type	Pulse Infrared Beam
Beam Characteristics	Wavelength: 950nm modulated 1KHz
Interruption Time for Alarm	100 msec. min.
Relay Output	N.O. or N.C. (Selectable) Voltage free output Contact rated: 120V AC 0.5A, 24V DC 1A (resistive load)
Alarm Duration	2 sec. ± 1 sec.
Adjustable Alignment	Vertical 10° (±5°)
Range	Horizontal 180° (±90°)
Supply Voltage	10VDC to 26VDC, or 8VAC to 18.5VAC
Indicator LED	Transmitter: Green LED On in Transmitting Condition Receiver: Green LED On in Normal Condition Red LED On in Alarm Condition
Power Consumption (at 12 VDC Input)	Transmitter: 7mA Max. Receiver: 25mA Max.
Tamper	N.C. Inrigal
Ambient Temperature	-4°F to +122°F (-20°C to +50°C)
Connection	Terminal
Case Material	Black poly carbonate
Weight	Transmitter: 10oz. (285g); Receiver: 10.3oz. (291g)
Dimensions	Height: 5.5"; Depth: 4.2"; Width: 3.4"

RANGE AND ALIGNMENT

Beam Expansion



Vertical Adjustment



Horizontal Adjustment

