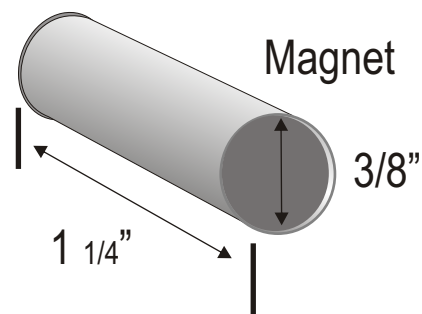
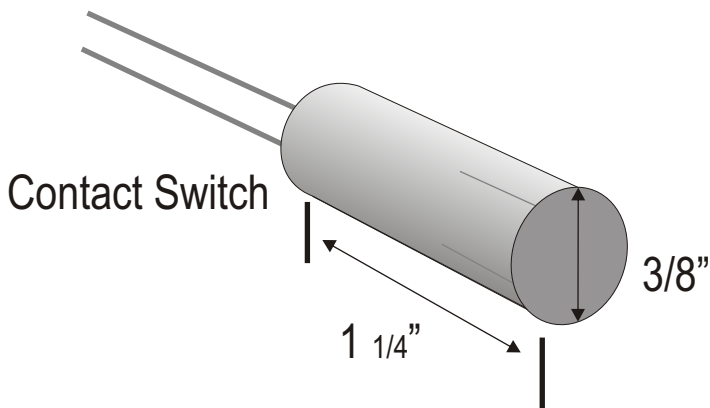
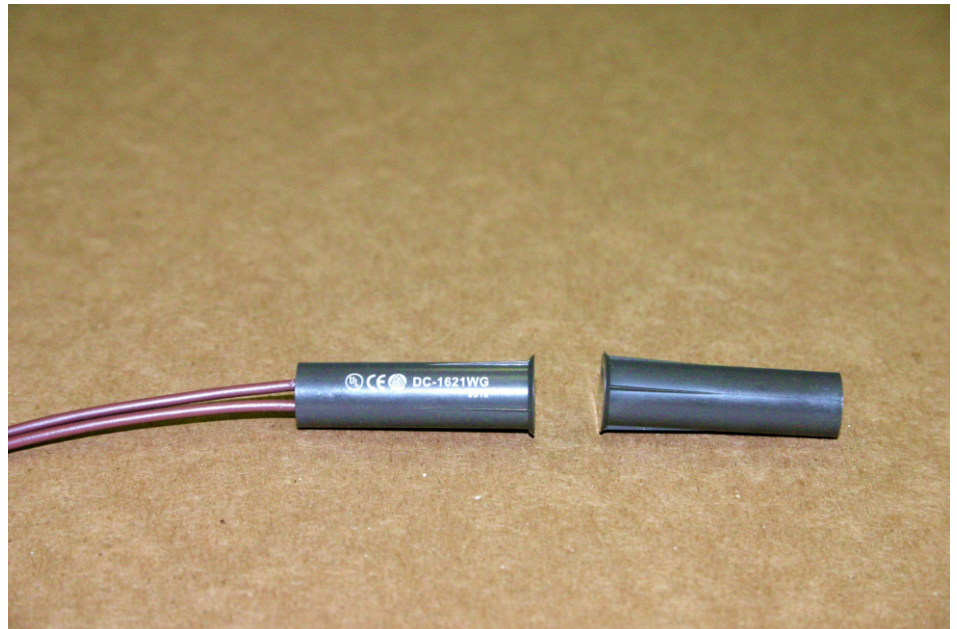


DC-1621- NC



DC-1621

Press Fit Wired Contact



Specifications:

1 1/4" Wide Gap Press to Fit Leaded Contact Switch
Normally Closed / Form A Contacts
Contact Rating 28 VDC - 500mA - 10W
3/8" Diameter

Crush Resistant
18" Wire Leads
Gold Plated Rhodium Reed Switch
UL Listed, File # AMQV.BP3859

Available in White, Brown & Grey