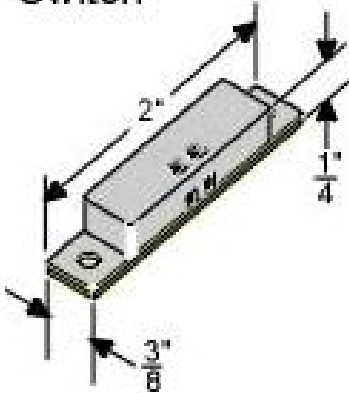


DC-2531- NC

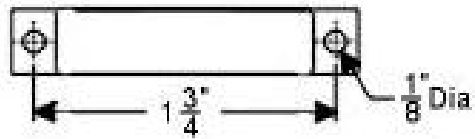
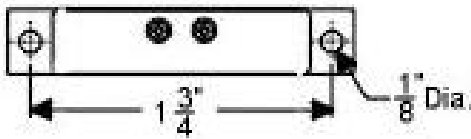
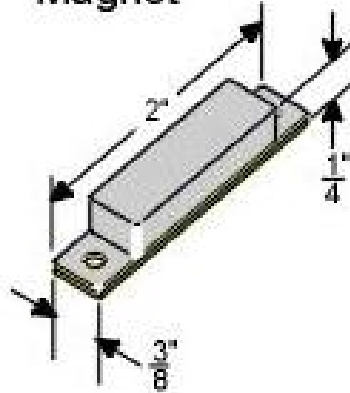


DC-2531 WG Surface Mount Terminal Contact

Switch



Magnet



Specifications:

1" Wide Gap Contact Switch

Normally Closed / Form A Output

Contact Rating: 28VDC - 500mA - 10W

Terminal Screw Wiring Connect 18 -22AWG

Surface mount / adhesive tape & mounting screws included

Dimensions: 2" L - 1/4" H - 3/8" D